

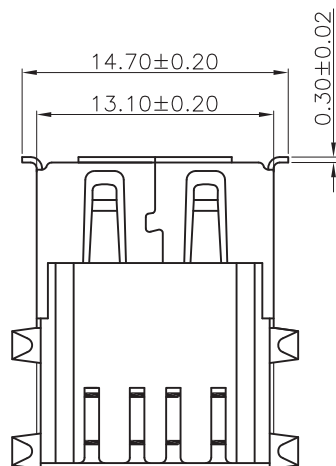
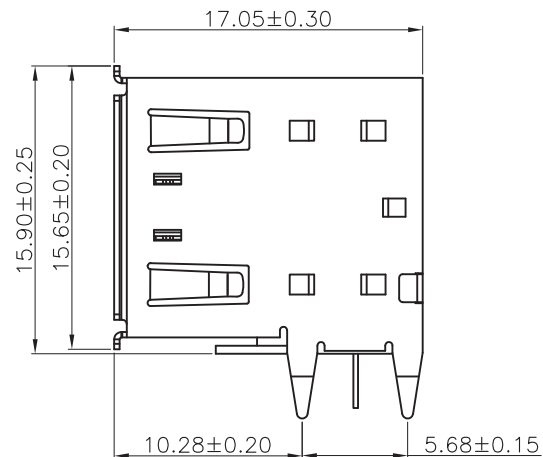
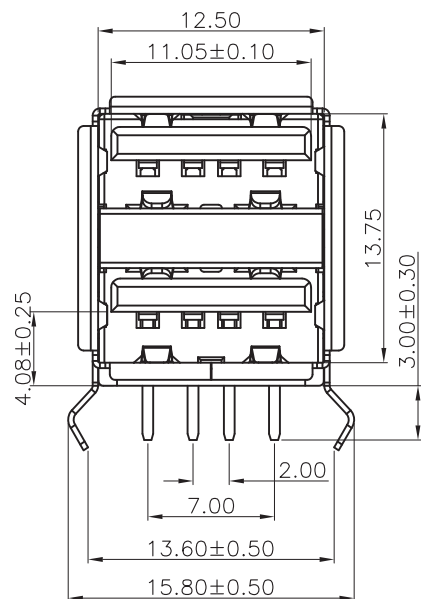
1

2

3

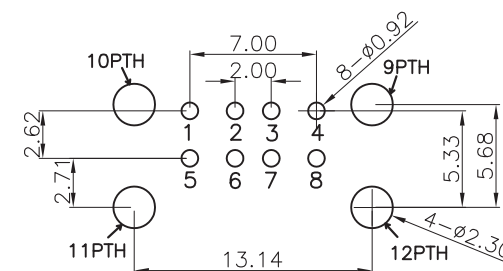
4

5




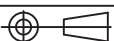
Specifications:
 Current Rating:1.0A AC/DC
 Voltage Rating:250V AC/DC
 Contact Resistance:Before Life test 30m ohm. Max.
 After life test 50m ohm. Max.
 Insulation Resistance:1,000M ohm. min.
 Withstanding Voltage:500V AC For One Minute
 Operating Temperature Range:-55°C ~ +85°C
 Material and Finish
 Insulator:PBT (UL94V-0)
 Contact:Brass
 Plating:Gold Plated on Contact Area,
 Tin Plated on Solder Tail.
 Shell:Brass,Nickel Plated
 Back Cover:SPCC,Matte Nickel Plated
 How To Order
 5075AR-08B-XX-XX

Standard Selective Gold Plated
 15:Gold Plated 15u"
 30:Gold Plated 30u"
 WH:White (Standard)
 BK:Black
 No Of Positions
 Type A R/A



Recommended P.C.B Layout

RoHS Compliant

F				DRAWN:	GENERAL TOLERANCE:	 繼德工業股份有限公司 Neltron Industrial Co., Ltd.	
E				Miller Yu	.X=±0.20 .XX=±0.15		
D				CHECKED:	UNIT: MM	DESCRIPTION:	SIZE
C				Jerry Chen	SCALE: 1:1	Double USB A Socket Right Angle Type	A4
B	24-May-2016		Blake Huang	APPROVAL:	SHEET: 1 / 1	PART NO:	
A	27-Jan-2016	(P0015)	Miller Yu	Mike Wu	PROJECTION: 	5075AR-08B-XX-XX	
REV	DATE	FILE	BY				