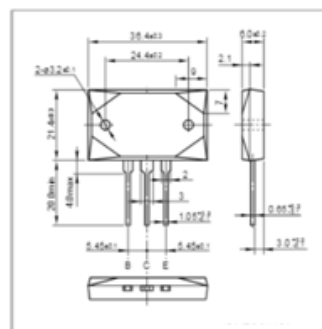


2SC3264

Silicon NPN Epitaxial Planar Transistor

Application: Audio and General Purpose



■ Absolute maximum ratings (Ta=25°C)

(Ta=25°C) External Dimensions MT-200

Symbol	Ratings	Unit
V_{CBO}	230	V
V_{CEO}	230	V
V_{EBO}	5	V
I_C	17	A
I_B	5	A
P_C	200	W
T_j	150	°C
T_{stg}	-55 to +150	°C

Electrical Characteristics

Symbol	Conditions	Ratings	Unit
I_{CBO}	$V_{CB}=230V$	100max	μA
I_{EBO}	$V_{EB}=5V$	100max	μA
$V_{(BR)CEO}$	$I_C=25mA$	230min	V
h_{FE}	$V_{CE}=4V, I_C=5A$	50min	
$V_{CE(sat)}$	$I_C=5A, I_B=0.5A$	3.0max	V